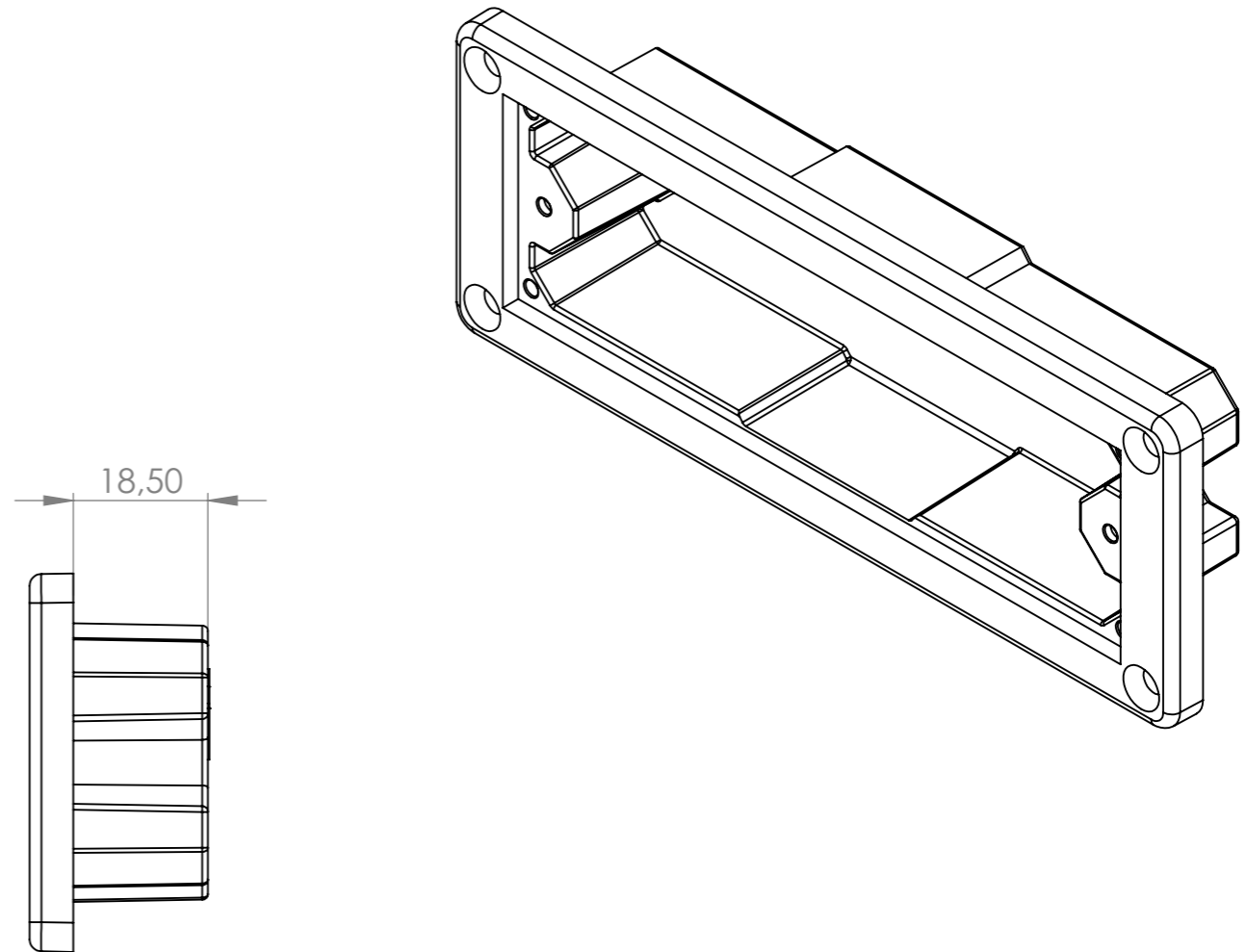



REVISIONS				
ZONE	REV.	DESCRIPTION	DATE	APPROVED



Unless otherwise specified. Dimensions are in mm Tolerances: - Linear: ± 0.2mm - Angular: ± 0.5°		Finish:	Debur and break sharp edges.	Status:	Revision 1
<i>DO NOT SCALE DRAWING</i>				Title Panel cover Small	
Drawn	Name H. F. Dekker	Signature	Date 20090513	Dwg. nr.:	M1307-1
Chk'd				Delta Part No.:	
Appr'd				Project:	
Mfg					
Q.A					
				Weight:	23.90

A3